



GAIA

SlowClose with stainless steel release hinge

The GAIA model presents a round shape and sandwich slim aesthetic, fully revealing the ring and following a minimalist design. Thanks to the SlowClose system, it allows a delayed fall that provides safety and comfort. With the Release&Clean system it is easy to remove for better cleaning. In addition, it is adjustable and allows mounting from the top.



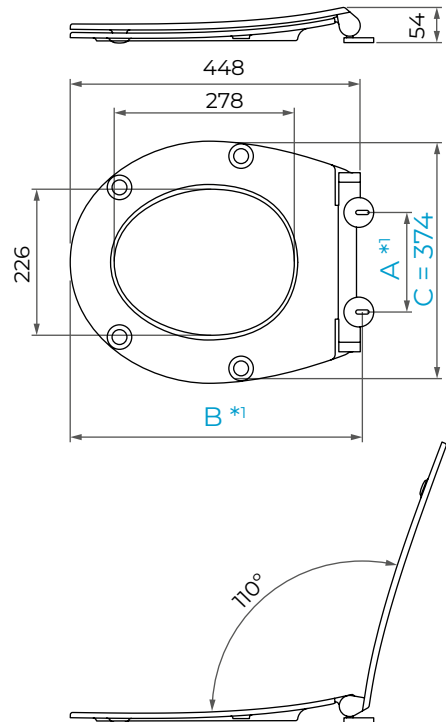
features

					
SlowClose	Release&Clean	Adjustable	TopMount	RoundShape	Sandwich Slim

general specifications

Toilet seat material	Duroplast
Color	White
Design type	Round shape / Sandwich Slim
Specifications	
• Hinges	Slow Close / Release&Clean
• Buffers	2 buffers at cover / 4 buffers at ring
• Total length	448 mm
• Total width	374 mm
• Total height	54 mm
• Weight	2,5 kg

general measures



*1 See the measures for each of the solutions in the table.

solutions features*2

Product code CSUEAA00KB	 C0091162F0				A: 101 - 209 B: 406,5 - 420,5 / 445,5 - 459,5
Product code CSUEAF00KB	 C0091152F0				A: 146 - 164 B: 428,5 - 437,5

*2 To consider other needs/options, contact our technical department.