

MUGA

Standard close with stainless steel hinge

The MUGA model presents a round shape and sandwich slim aesthetic, fully revealing the ring and following a minimalist design. In addition, it is adjustable and allows mounting from the top and bottom. Standard close closure system.



features



StandardClose



Adjustable



TopMount



BottomMount



RoundShape

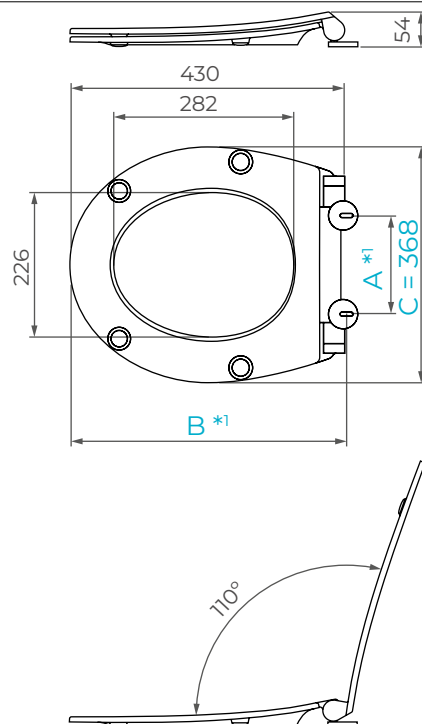


Sandwich Slim

general specifications

Toilet seat material	Duroplast
Color	White
Design type	Round shape / Sandwich slim
Specifications	
• Hinges	Standard Close
• Buffers	2 buffers at cover / 4 buffers at ring
• Total length	430 mm
• Total width	368 mm
• Total height	54 mm
• Weight	2,4 kg

general measures



*1 See the measures for each of the solutions in the table.

solutions features*2

Product code CSUDBA00KB	 C0092062F0	 SlotAdjust	 TopMount	 AnchorFix	A: 146 - 164 B: 384 - 407 / 423 - 446
Product code CSUDBB00KB	 C0092051F0	 BottomMount	 QuickFix		A: 148 - 162 B: 411,5 - 418,5

*2 To consider other needs/options, contact our technical department.