



ORA

SlowClose with stainless steel release hinge

The ORA model presents a round shape and wrap-over aesthetic, completely covering the ring when it is closed. Thanks to the SlowClose system, it allows a delayed fall that provides safety and comfort. With the Release&Clean system it is easy to remove for better cleaning. In addition, it is adjustable and allows mounting from the top.



features



SlowClose



Release&Clean



Adjustable



TopMount



RoundShape

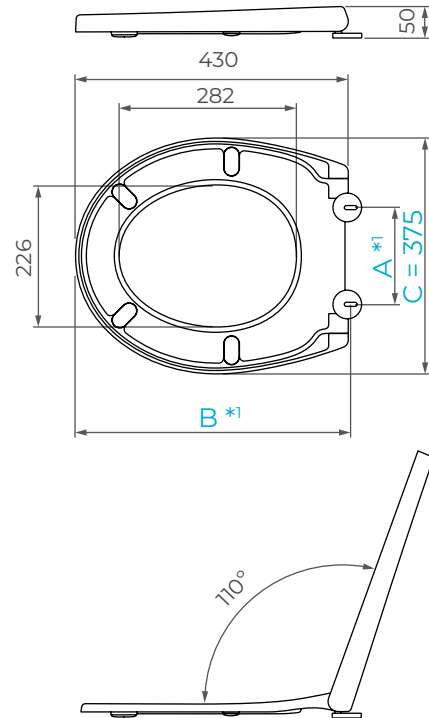


Wrap-over

general specifications

Toilet seat material	Duroplast
Color	White
Design type	Round shape / Wrap-over
Specifications	
• Hinges	Slow Close / Release&Clean
• Buffers	2 buffers at cover / 4 buffers at ring
• Total length	430 mm
• Total width	375 mm
• Total height	50 mm
• Weight	2,4 kg

general measures



*1 See the measures for each of the solutions in the table.

solutions features*2

Product code CSUBAA00KB					A: 101 - 209 B: 388,5 - 402,5 / 427,5 - 441,5
Product code CSUBAF00KB					A: 146 - 164 B: 410,5 - 419,5

*2 To consider other needs/options, contact our technical department.